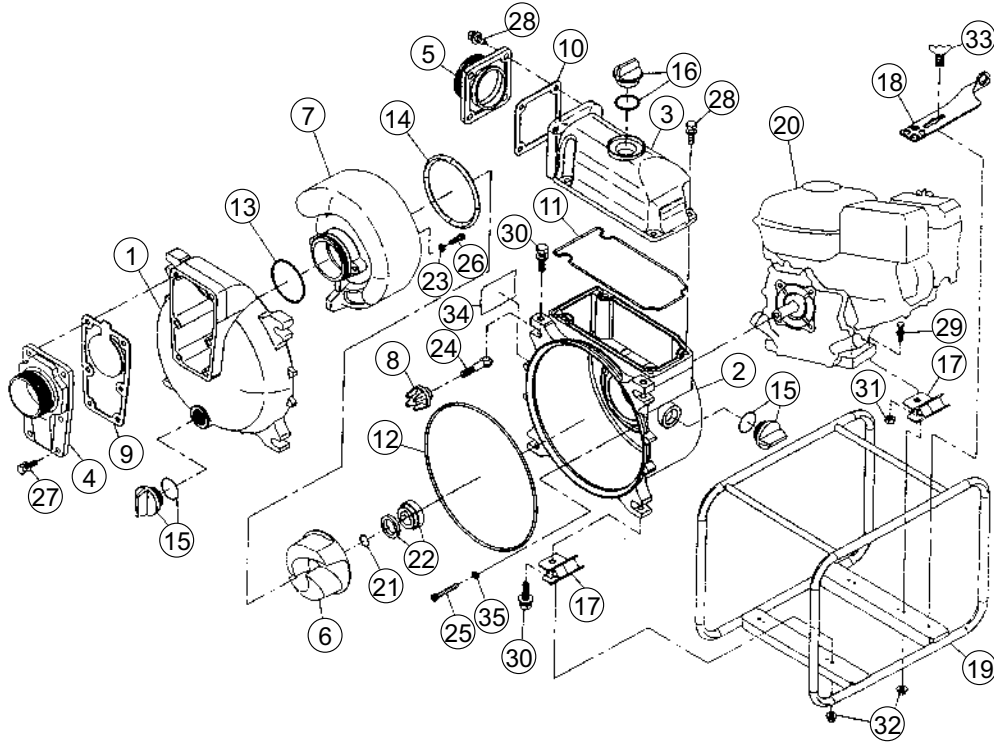


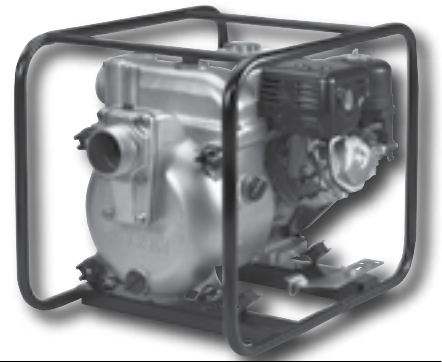
**2" TRASH
HONDA GX160 5.5 HP**

REF NO.	PART NO.	DESCRIPTION	QTY.	REF NO.	PART NO.	DESCRIPTION	QTY.
1	0115545	FRONT COVER	1	19	0117524	FRAME	1
2	0115446	PUMP CASING	1	20		ENGINE	1
3	0115445	DELIVERY CASING	1	21	0110491	ADJUSTING WASHER	3
4	0115492	SUCTION FLANGE	1	22	0115159	MECHANICAL SEAL	1
5	0115444	DELIVERY FLANGE	1	23	854255008	SEAL WASHER	6
6	0115447	IMPELLER	1	24	0115580	COVER BOLT	4
7	0115489	VOLUTE CASING	1	25	0116516	SOCKET BOLT M8 x 55	4
8	0115590	KNOB	4	26	734505065	SOCKET BOLT M8 x 25	2
9	0115780	CHECK VALVE	1	27	743119061	HEX BOLT M10 x 25	6
10	0115490	DELIVERY FLANGE GASKET	1	28	743119063	HEX BOLT M10 x 30	4
11	0115548	HEAD GASKET	1	29	743119051	HEX BOLT M8 x 35	2
12	0115579	FRONT COVER GASKET	1	30	743119083	HEX BOLT M12 x 45	4
13	0115676	O-RING	1	31	838719008	NUT M8	2
14	0115578	CASING GASKET	1	32	842319008	M8 NUT W/SPRING WASHER	4
15	0118079	25A PLUG SET	2	33	741305153	WING BOLT M8 x 15	1
16	0118450	32A PLUG SET	1	34		NAME PLATE	1
17	0115679	RUBBER MOUNT	4	35	743119046	HEX BOLT M8 x 22	4
18	0115778	WRENCH	1	36	0116493	ALUMINUM WASHER	4

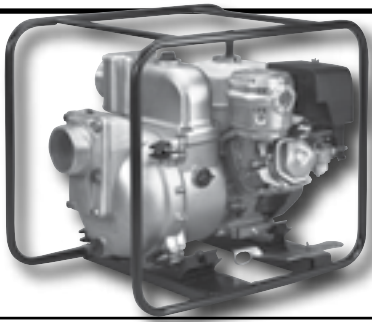
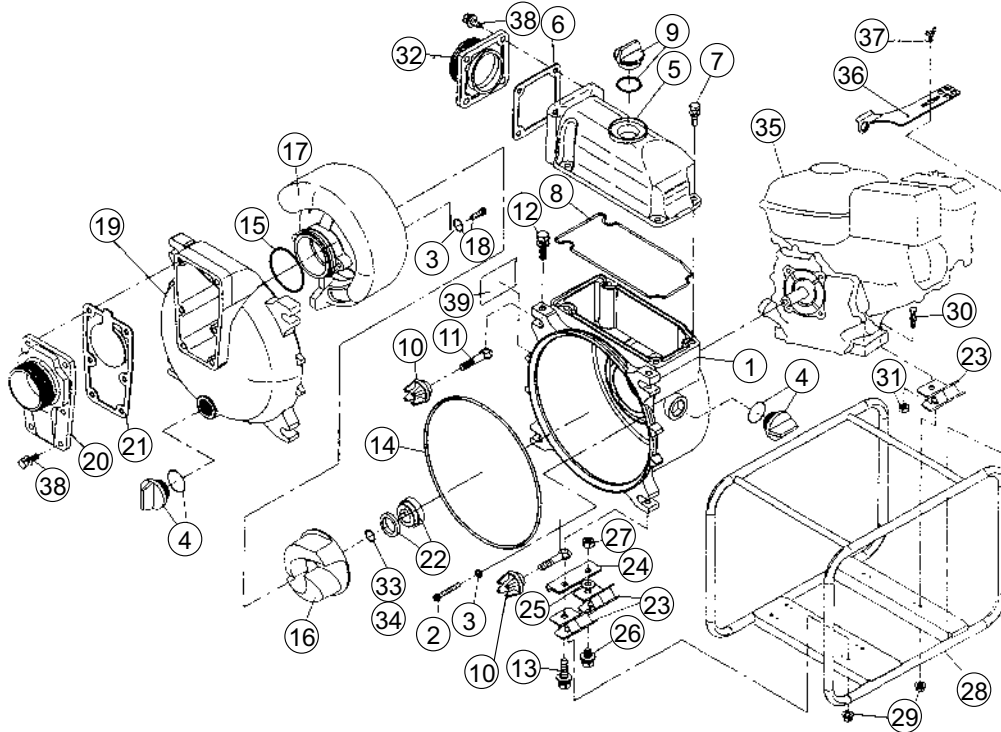




**3" TRASH
HONDA GX240 8.0 HP**



REF NO.	PART NO.	DESCRIPTION	QTY.	REF NO.	PART NO.	DESCRIPTION	QTY.
1	0115545	FRONT COVER	1	19	0117494	FRAME	1
2	0115446	PUMP CASING	1	20		ENGINE	1
3	0115547	DELIVERY CASING	1	21	0110081	ADJUSTING WASHER	3
4	0111360	SUCTION FLANGE	1	22	0115678	MECHANICAL SEAL	1
5	0115837	DELIVERY FLANGE	1	23	854255008	SEAL WASHER	2
6	0115558	IMPELLER	1	24	0115580	COVER BOLT	4
7	0115559	VOLUTE CASING	1	25	734532075	SOCKET BOLT M8 x 55	4
8	0115590	KNOB	4	26	734505065	SOCKET BOLT M8 x 25	2
9	0115692	CHECK VALVE	1	27	743119061	HEX BOLT M10 x 25	6
10	0110584	DELIVERY FLANGE GASKET	1	28	743119063	HEX BOLT M10 x 30	4
11	0115548	HEAD GASKET	1	29	743119065	HEX BOLT M10 x 35	2
12	0115579	FRONT COVER GASKET	1	30	743119083	HEX BOLT M12 x 45	4
13	0115676	O-RING	1	31	827419010	HEX NUT M10	2
14	0115578	CASING GASKET	1	32	842319008	M8 NUT W/SPRING WASHER	4
15	0118079	25A PLUG SET	2	33	741305153	WING BOLT M8 x 15	1
16	0118450	32A PLUG SET	1	34		NAME PLATE	1
17	0115679	RUBBER MOUNT	4	35	0116493	ALUMINUM WASHER	4
18	0115767	WRENCH	1				



**4" TRASH
HONDA GX340 11.0 HP**

REF NO.	PART NO.	DESCRIPTION	QTY.	REF NO.	PART NO.	DESCRIPTION	QTY.
1	0116150	PUMP HOUSING	1	21	0118261	CHECK VALVE	1
2	0116492	HEX SOCKET BOLT M8 x 50	4	22	0115678	MECHANICAL SEAL	1
3	0116493	ALUMINUM WASHER	7	23	0116172	RUBBER MOUNT	6
4	0118079	25A PLUG SET	2	24	0116273	MOUNTING PLATE	2
5	0116148	DELIVERY HOUSING	1	25	846211012	WASHER	2
6	0110750	DELIVERY FLANGE GASKET	1	26	743119076	HEX BOLT M12 x 25	2
7	743119063	HEX BOLT M10 x 30	4	27	827419012	HEX NUT M12	2
8	0115548	HEAD GASKET	1	28	0117737	FRAME	1
9	0118450	32A PLUG SET	1	29	842319008	M8 NUT SPRING W/WASHER	6
10	0115590	KNOB	4	30	743119067	HEX BOLT M10 x 40	2
11	0115580	COVER BOLT	4	31	827419010	HEXAGON NUT M10	2
12	743119083	HEX BOLT M12 x 45	2	32	0111365	DELIVERY FLANGE	1
13	743119084	HEX BOLT M12 x 50	2	33	0110561	ADJUSTING WASHER	1
14	0115579	FRONT COVER GASKET	1	34	0110561	ADJUSTING WASHER	2
15	0116270	O-RING	1	35		ENGINE	1
16	0115626	IMPELLER	1	36	0116204	WRENCH	1
17	0116488	VOLUTE CASING	1	37	741305153	WING BOLT	1
18	0116419	HEX SOCKET BOLT M8 x 35	3	38	743119080	HEX BOLT M12 x 35	10
19	0116490	FRONT COVER	1	39		NAME PLATE	1
20	0115790	SUCTION FLANGE	1				

